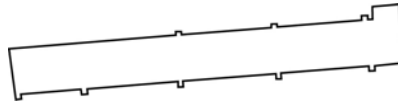


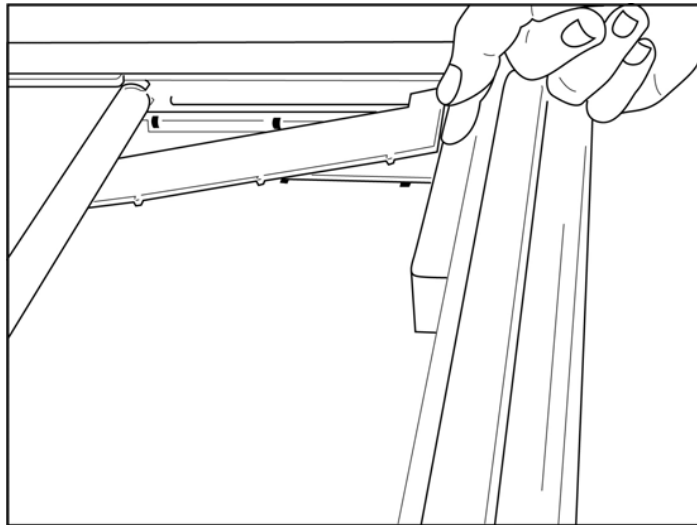
# Thermal Printer A4 Paper Spacer Installation Instructions

***Please note: This is intended for customers who use A4 (metric) paper. Please disregard if using standard (8.5 x 11") letter size paper.***

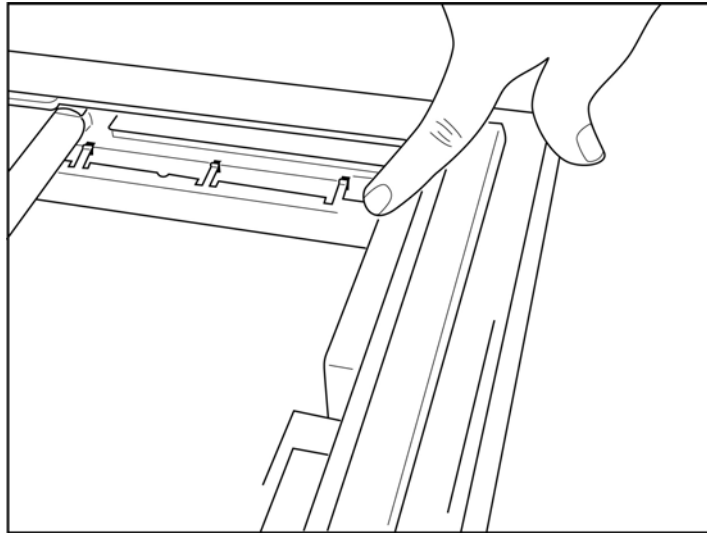
To insert the Paper Tray Spacer:



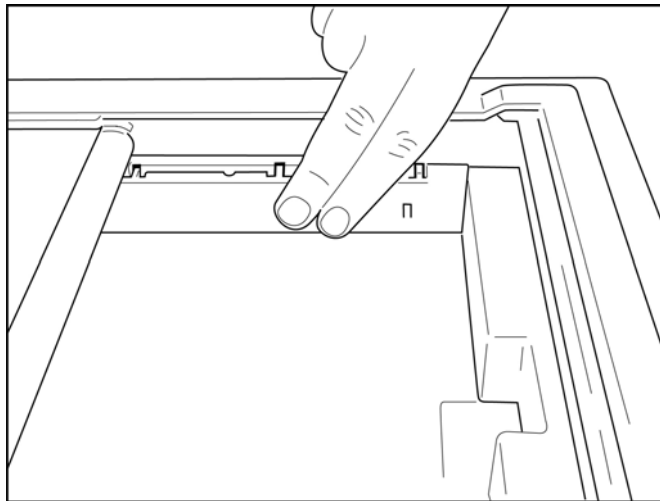
- Slide paper tray spacer towards rear wall of writer tray. Align the bottom four plastic arms with the four openings in the base of the writer tray. Similarly, align the top 3 plastic arms with the three openings on the rear wall of the writer tray.



- The paper tray spacer should be parallel with the rear wall of the writer tray, as pictured below.



- Gently press paper tray spacer in place.



*Note: If you wish to remove the paper tray spacer, gently press on the top three plastic arms to remove.*