

## Welch Allyn Spot Vital Signs 4400

### Assembly instructions

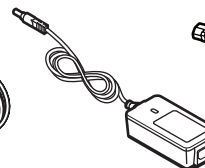
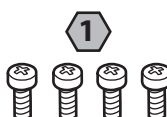
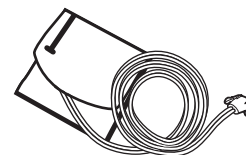
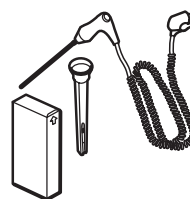
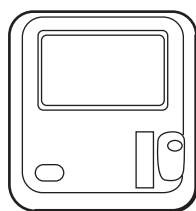
REF 777096, 80030427 Ver. A  
Revision date: 2024-05

baxter.com

Baxter Technical Support:  
[baxter.com/contact-us](https://baxter.com/contact-us)

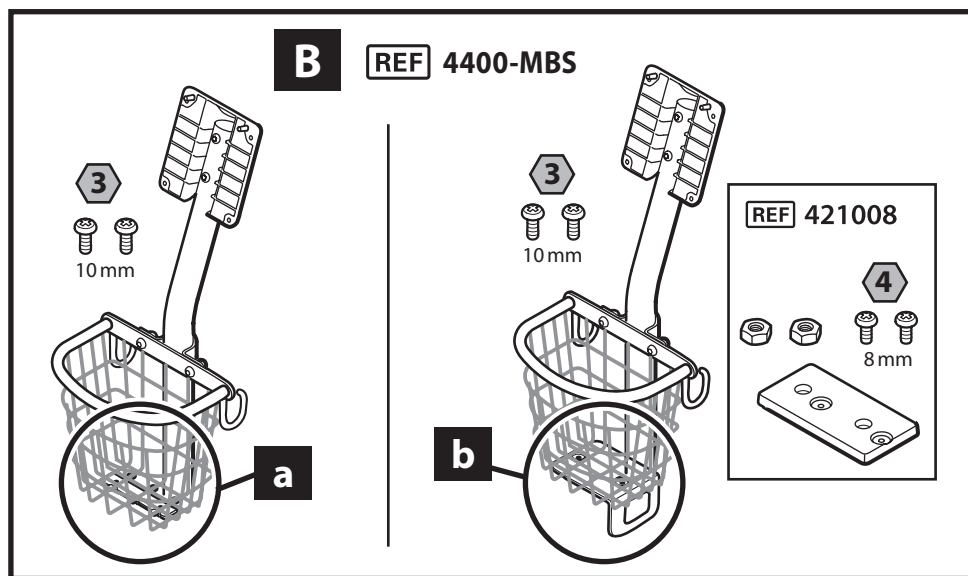
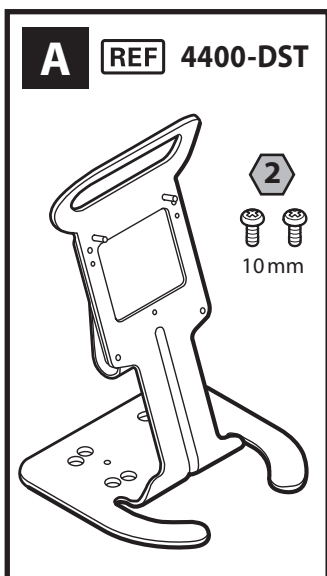
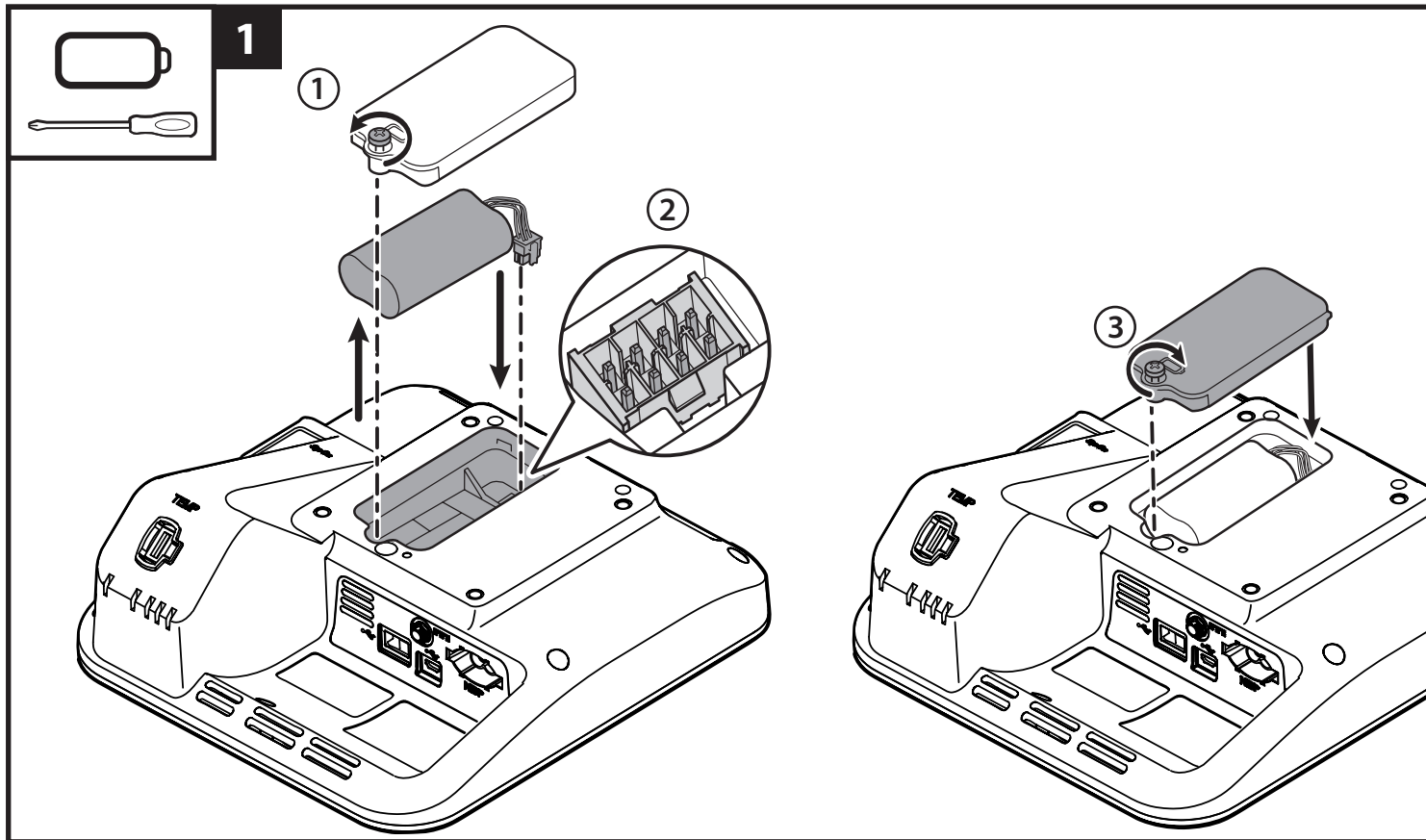


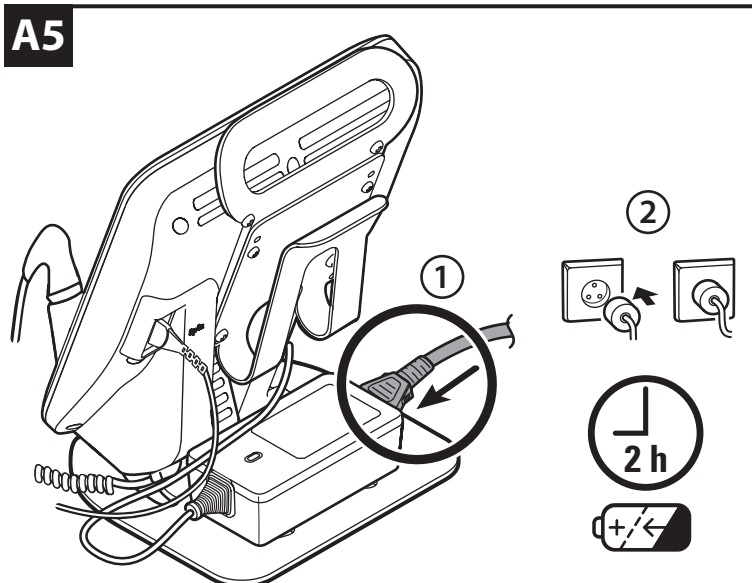
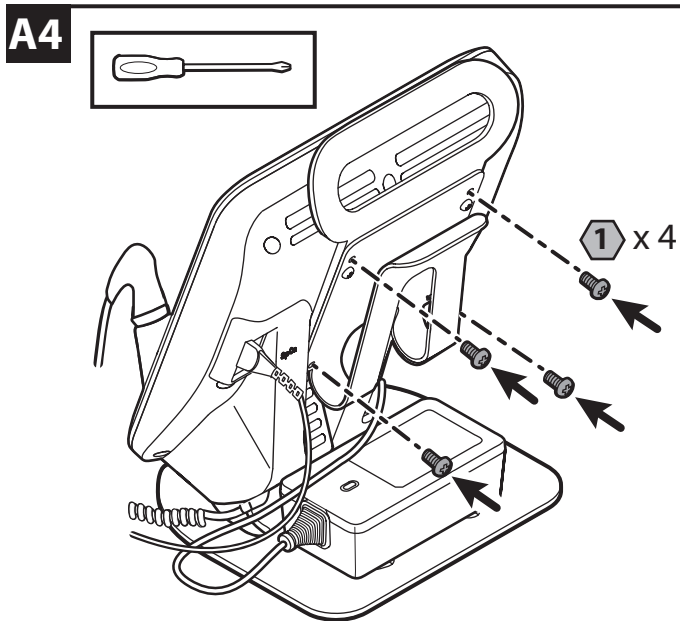
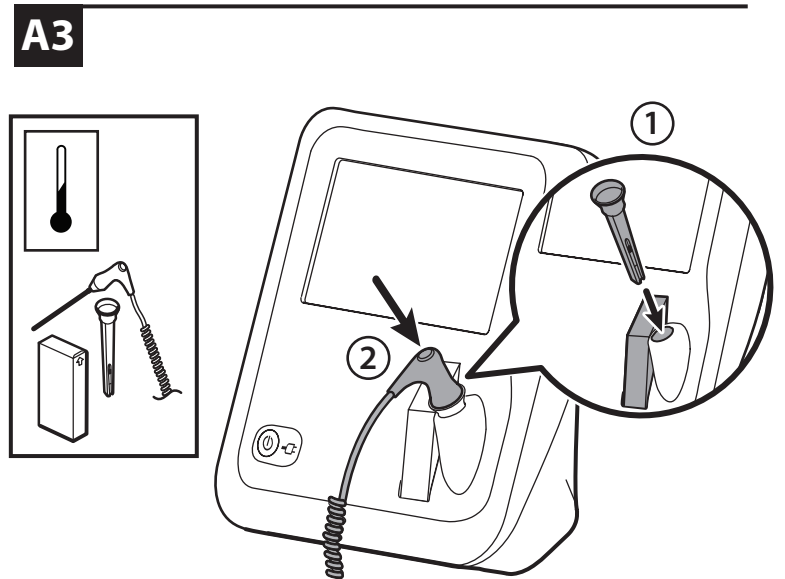
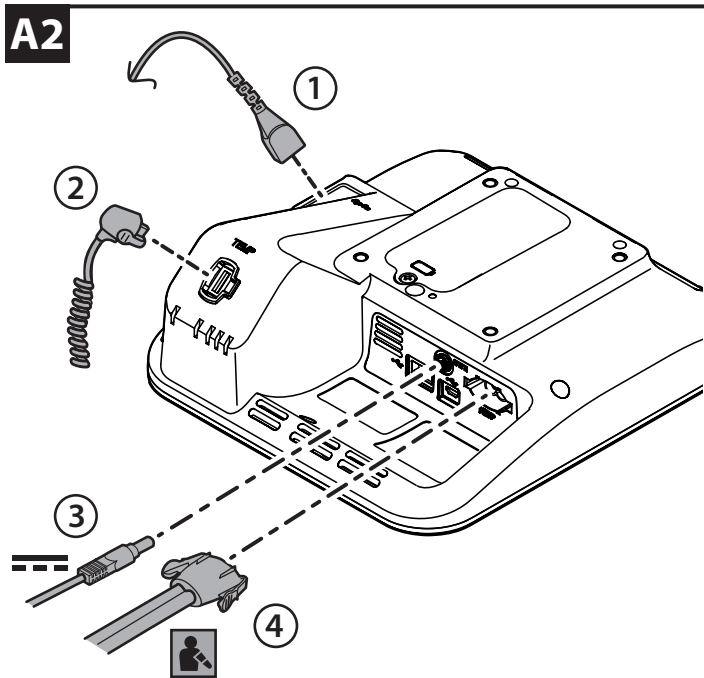
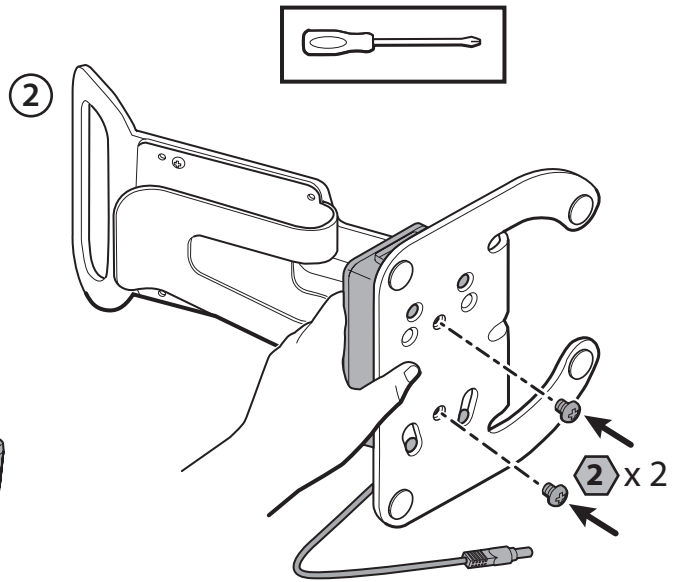
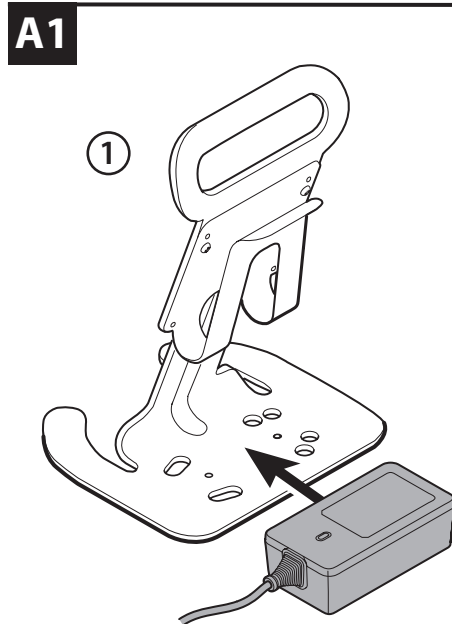
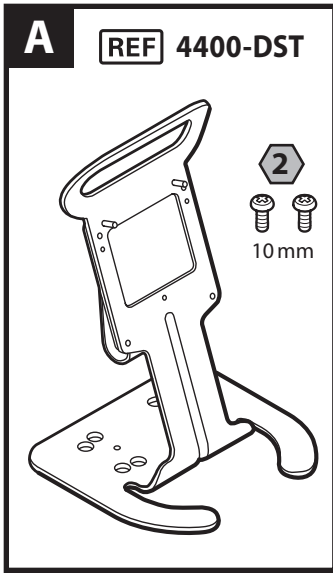
(91)777096



REF 44WT

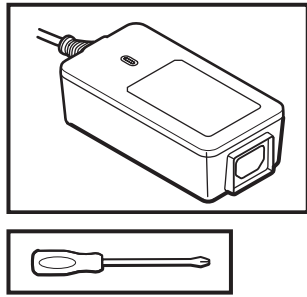
Baxter and Welch Allyn are trademarks of Baxter International Inc. or its subsidiaries.



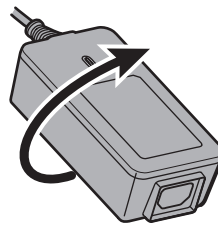


**B** REF 4400-MBS

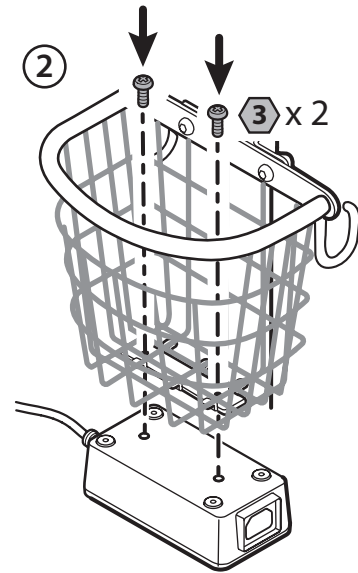
**1a**



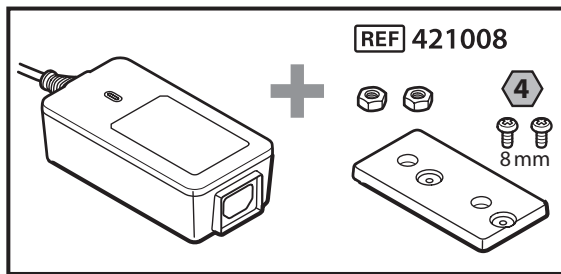
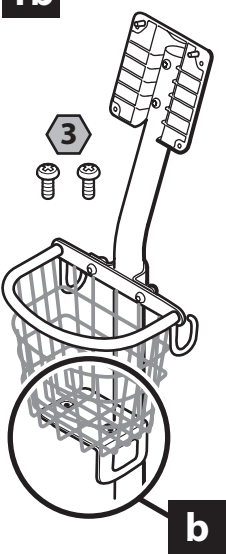
**1**



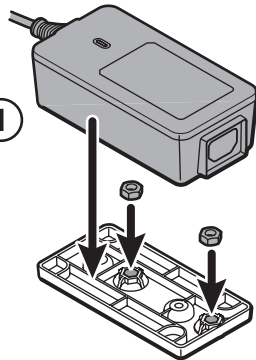
**2**



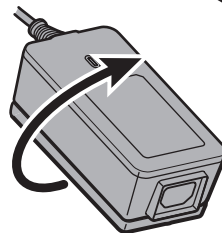
**1b**



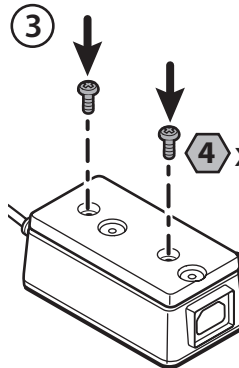
**1**



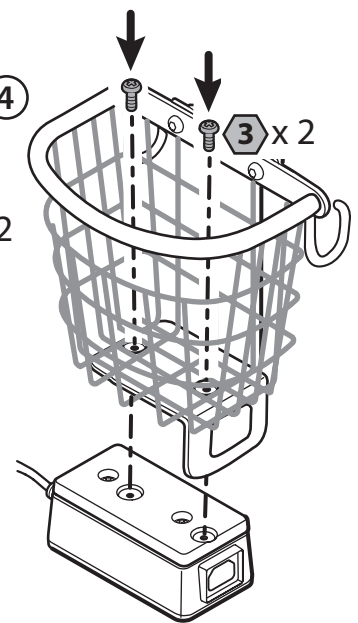
**2**



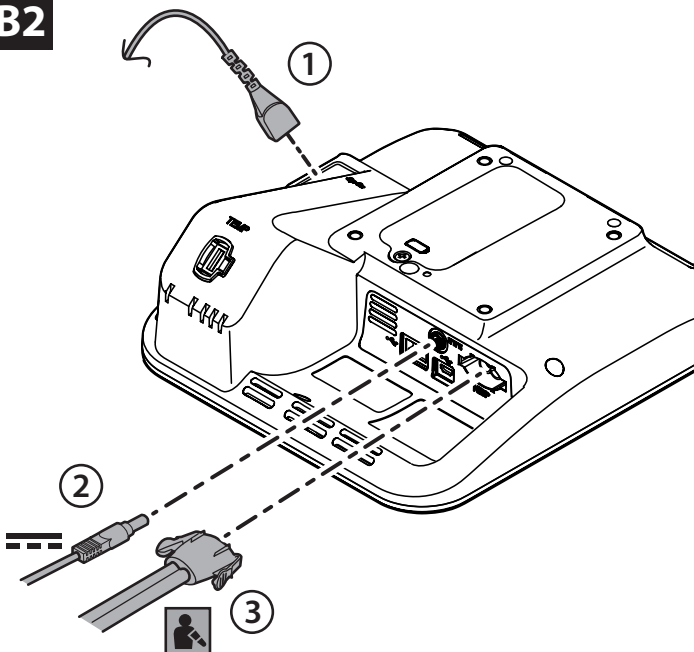
**3**



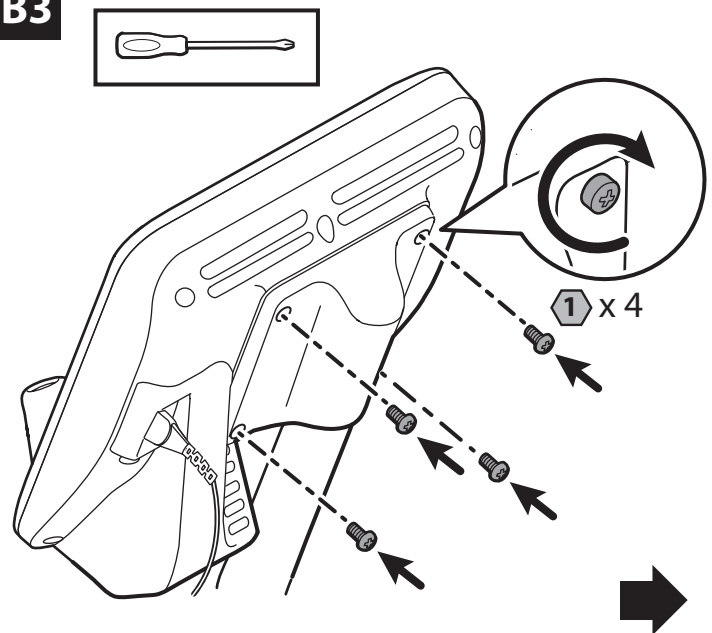
**4**



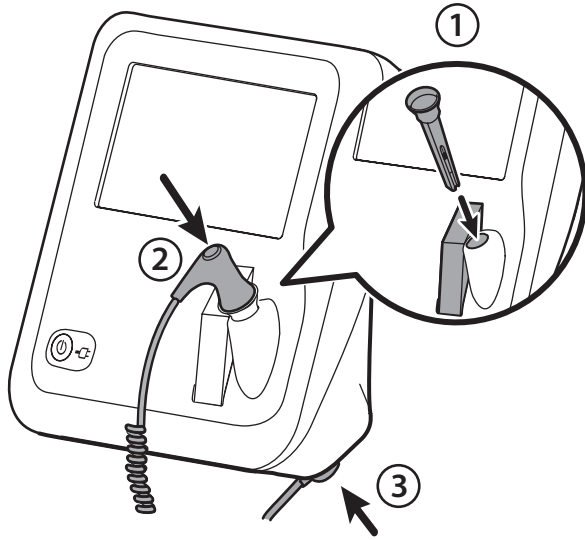
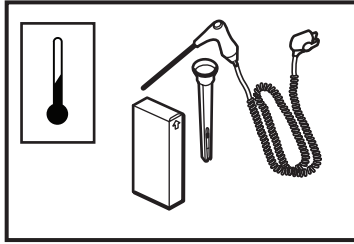
**B2**



**B3**



**B4**



**B5**

