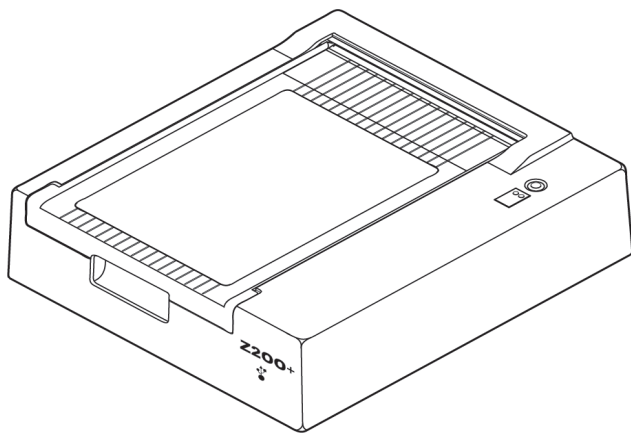


## USB communication to the printer is achieved via a proxy service.

This Z200+ printer is equipped to communicate via **USB connection only** and is not intended to be used with a network cable. USB communication to the printer is achieved via a proxy service which comes pre-installed on Q-Stress and XScribe 6.3.0 and later.

If you are operating on a Q-Stress or XScribe 6 system with a version prior to 6.3.0, please load the proxy service onto the stress system prior to using the Z200+ thermal printer.

The proxy service and installation instructions can be located on the media shipped with this Z200+.



### Z200+ printer (34000-025-1004) compatibility:

- Q-Stress or XScribe system 6.2.1 or later
- Windows 64-bit operating system

**Note:** If installing this Z200+ printer on a Q-Stress or XScribe system that previously used a Z200+ printer with a network connector, the additional network interface card that was installed in the PC must be disabled for this printer to function.

For further assistance, please contact Hillrom Customer Service:  
[mor\\_tech.support@hillrom.com](mailto:mor_tech.support@hillrom.com) or  
1.888.667.8272.

